



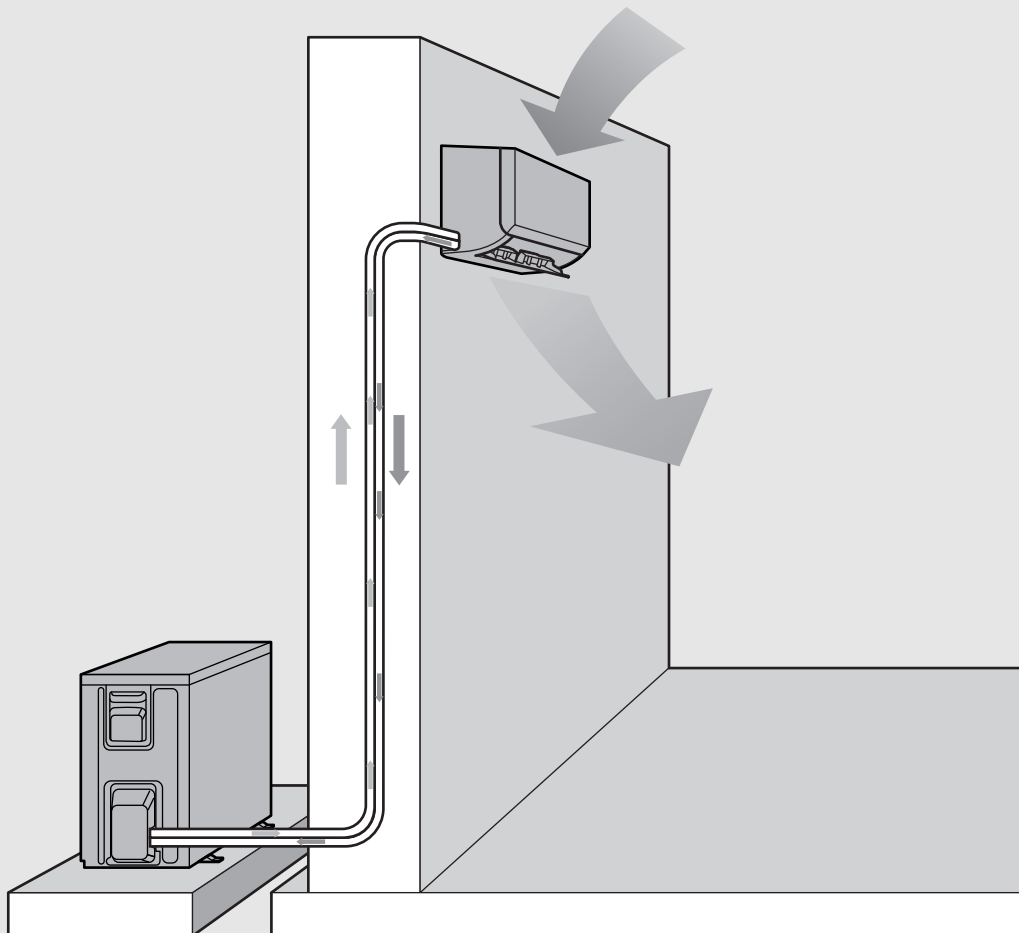
# BOSCH

## Climate Line 5000

CLL5000 W 22 E | CLL5000 22 E  
CLL5000 W 28 E | CLL5000 28 E  
CLL5000 W 34 E | CLL5000 34 E

**en** Split air conditioner  
**ru** Сплит-система

Installation instructions ..... 2  
Инструкция по установке ..... 11



0010032905-001



## Table of contents

<b>1</b>	<b>Explanation of symbols and safety instructions</b>	<b>2</b>
1.1	Explanation of symbols	2
1.2	General safety instructions	3
1.3	Notices regarding these instructions	3
<b>2</b>	<b>Product Information</b>	<b>4</b>
2.1	Declaration of conformity	4
2.2	Scope of delivery	4
2.3	Product dimensions and minimum clearances	4
2.3.1	Indoor unit and outdoor unit	4
2.3.2	Refrigerant pipes	4
<b>3</b>	<b>Installation</b>	<b>4</b>
3.1	Before installation	4
3.2	Requirements for installation site	4
3.3	Unit installation	5
3.3.1	Installing the indoor unit	5
3.3.2	Installing the outdoor unit	5
3.4	Pipework connection	5
3.4.1	Connecting refrigerant pipes to the indoor and outdoor unit	5
3.4.2	Connecting condensate pipe to the indoor unit	6
3.4.3	Checking tightness and filling the system	6
3.5	Electrical connection	6
3.5.1	General notes	6
3.5.2	Connecting the indoor unit	6
3.5.3	Connecting the outdoor unit	6
<b>4</b>	<b>Commissioning</b>	<b>7</b>
4.1	Commissioning checklist	7
4.2	Functional test	7
4.3	Handover to the user	7
<b>5</b>	<b>Troubleshooting</b>	<b>8</b>
5.1	Faults with indication	8
5.2	Faults without indication	8
<b>6</b>	<b>Environmental protection and disposal</b>	<b>9</b>
<b>7</b>	<b>Technical Data</b>	<b>10</b>

## 1 Explanation of symbols and safety instructions

### 1.1 Explanation of symbols

#### Warnings

In warnings, signal words at the beginning of a warning are used to indicate the type and seriousness of the ensuing risk if measures for minimizing danger are not taken.

The following signal words are defined and can be used in this document:



**DANGER** indicates that severe or life-threatening personal injury will occur.



**WARNING** indicates that severe to life-threatening personal injury may occur.



**CAUTION** indicates that minor to medium personal injury may occur.



**NOTICE** indicates that material damage may occur.

#### Important information



The info symbol indicates important information where there is no risk to people or property.

Symbol	Meaning
	Warning regarding flammable substances: the R32 refrigerant used in this product is a gas with low combustibility and low toxicity (A2L).
	Further information available in technical documentation.
	Maintenance by a qualified person should be done while following the instructions in the service manual.
	For operation follow the instructions in the user manual.
	Symbol for rated heating capacity.
	Symbol for rated cooling capacity.
	Symbol for refrigerant circuit with high pressure side (top) and low pressure side (bottom).



Symbol	Meaning
Inverter	Inverter air conditioner
	EAC conformity mark for goods on the market of the member states of the Eurasian Economic Union
	Symbol indicates separate collection of electrical and electronic equipment.

Table 1

## 1.2 General safety instructions

### Notices for the target group

These installation instructions are intended for qualified persons who are skilled in dealing with refrigeration engineering and HVAC technology and also electrical systems. All system-relevant instructions must be observed. Failure to comply with instructions may result in material damage and personal injury, including danger to life.

- ▶ Before carrying out the installation, read the installation instructions of all system components.
- ▶ Observe the safety instructions and warnings.
- ▶ Follow national and regional regulations, technical regulations and guidelines.
- ▶ Record all work carried out.

### Intended use

The indoor unit is intended for installation inside the building with connection to an outdoor unit and further system components, e.g. controls.

The outdoor unit is intended for installation outside the building with connection to an indoor unit or units and further system components, e.g. controls.

Any other use is considered inappropriate. Any damage that may result from misuse is excluded from liability.

For installation at special locations (underground garage, mechanical rooms, balcony or at any semi-open areas):

- ▶ First refer to the requirements for the installation site in the technical documentation.

### General dangers posed by the refrigerant

- ▶ This appliance is filled with refrigerant R32. If the refrigerant gas gets into contact with fire, it may generate toxic gas.
- ▶ Thoroughly ventilate the room if refrigerant leaks during the installation.
- ▶ Check the tightness of the system following the installation.
- ▶ Do not let any other substance than the specified refrigerant (R32) into the refrigerant cycle.

### Safety of electrical devices for domestic use and similar purposes

The following requirements apply in accordance with EN 60335-1 in order to prevent hazards from occurring when using electrical appliances:

“This appliance can be used by children of 8 years and older, as well as by people with reduced physical, sensory or mental capabilities or lacking in experience and knowledge, if they are supervised and have been given instruction in the safe use of the appliance and understand the resulting dangers. Children shall not play with the appliance. Cleaning and user maintenance must not be performed by children without supervision.”

“If the power cable is damaged, it must be replaced by the manufacturer, its customer service department or a similarly qualified person, so that risks are avoided.”

### Handover to the user

When handing over the air conditioning system, explain the operation and operating conditions to the user.

- ▶ Explain operation – with particular emphasis on all safety-related actions.
- ▶ Highlight the following points in particular:
  - Point out that modifications or repairs may be carried out only by an approved contractor.
  - To ensure safe and environmentally compatible operation, an annual inspection, and also cleaning and maintenance if required, must be carried out.
- ▶ Point out the possible consequences (personal injury and possible danger to life or material damage) of not carrying out inspection, cleaning and maintenance correctly, or omitting it altogether.
- ▶ Hand over the installation and operating instructions to the user for safekeeping.

### 1.3 Notices regarding these instructions

The figures are shown together at the end of these instructions. The text contains references to the figures.

Depending on the model, the products may be different to those shown in these instructions.

## 2 Product Information

### 2.1 Declaration of conformity



The design and operating characteristics of this product comply with the requirements of the Eurasian Customs Union.

The EAC marking declares that the product complies with all the applicable legislation, which is stipulated by attaching this marking.

The complete text of the Declaration of Conformity is available on the Internet: <https://bosch-ru.boschtt-documents.com/index/td>.

### 2.2 Scope of delivery

#### Key to Fig. 1:

- [1] Outdoor unit (filled with refrigerant)
- [2] Indoor unit (filled with nitrogen)
- [3] Cold catalyst filter and bio filter
- [4] Drainage elbow with gasket (for outdoor unit with floor or wall mounting bracket)
- [5] Remote control with batteries
- [6] Fixing materials (5 screws and 5 wall plugs)
- [7] Set of printed documents for product documentation
- [8] 4-core communication cable (optional accessory)
- [9] 4 anti-vibration couplings for the outdoor unit

### 2.3 Product dimensions and minimum clearances

#### 2.3.1 Indoor unit and outdoor unit

Figures 2 to 3.

#### 2.3.2 Refrigerant pipes

##### Key to Fig. 5:

- [1] Gas-side pipe
- [2] Liquid-side pipe
- [3] Siphon-shaped elbow as oil separator



If the outdoor unit is positioned higher than the indoor unit, install a siphon-shaped elbow on the gas side after no more than 6 m and every 6 m thereafter (→ Fig. 5, [1]).

- ▶ Observe maximum pipe length and maximum difference in height between indoor unit and outdoor unit.

	Maximum pipe length <sup>1)</sup> [m]	Maximum difference in height <sup>2)</sup> [m]
CLL5000 22 E	≤ 25	≤ 10
CLL5000 28 E	≤ 25	≤ 10
CLL5000 34 E	≤ 25	≤ 10

1) Gas side or liquid side

2) Measured from bottom edge to bottom edge.

Table 2 Pipe length and difference in height

Unit type	Pipe size	
	Liquid side [mm]	Gas side [mm]
CLL5000 22 E	6,35 (1/4")	9,53 (3/8")
CLL5000 28 E	6,35 (1/4")	9,53 (3/8")
CLL5000 34 E	6,35 (1/4")	9,53 (3/8")

Table 3 Pipe diameter depending on appliance type

Pipe diameter [mm]	Alternative pipe diameter [mm]
6.35 (1/4")	6
9.53 (3/8")	10

Table 4 Alternative pipe diameter

Specification of the pipes	
Min. piping length	3 m
Additional refrigerant if the pipe length exceeds 5 m (liquid side)	12 g/m
Pipe thickness with 6.35 mm to 12.7 mm pipe diameter	≥ 0.8 mm
Pipe thickness with 15.9 mm pipe diameter	≥ 1.0 mm
Thickness of heat insulation	≥ 6 mm
Material of heat insulation	Polyethylene foam

Table 5

## 3 Installation

### 3.1 Before installation



#### CAUTION

#### Risk of injury from sharp edges!

- ▶ Wear protective gloves during installation.



#### CAUTION

#### Danger of burns!

During operation the pipes become hot.

- ▶ Make sure, that the pipes cooled down before touching them.

- ▶ Check the scope of delivery for damage.
- ▶ Check whether a hissing sound due to negative pressure can be detected when opening the pipes of the indoor unit.

### 3.2 Requirements for installation site

- ▶ Observe minimum clearances (→ Figs. 2 to 4).

#### Indoor unit

- ▶ Do not install the indoor unit in a room in which open ignition sources (for example: open flames, an operating wall mounted gas boiler or an operating electric heating system) are in operation.
- ▶ The installation site must not be higher than 2000 m above sea level.
- ▶ Keep the air inlet and air outlet clear of any obstacles to allow the air to circulate freely. Otherwise bad performance and higher noise level may occur.
- ▶ Keep TV, radio and similar appliances at least 1 m away from the unit and the remote control.
- ▶ Mount the indoor unit on a wall that absorbs vibrations.
- ▶ Take minimum room area into account.

Unit type	Installation height [m]	Minimum room area [m <sup>2</sup> ]
CLL5000 W 22 E	≥ 1,8	≥ 4
CLL5000 W 28 E		
CLL5000 W 34 E		

Table 6 Minimum room area

If the installation height is lower, the floor area must be accordingly larger.



**Outdoor unit**

- ▶ The outdoor unit must not be exposed to machine oil vapour, hot spring vapour, sulphur gas, etc.
- ▶ Do not install the outdoor unit directly next to water or where it is exposed to sea air.
- ▶ The outdoor unit must always be kept free of snow.
- ▶ There must be no disruption caused by exhaust air or operating noise.
- ▶ Air should be able to circulate freely around the outdoor unit, but the appliance must not be exposed to strong wind.
- ▶ Condensate that forms during operation must be able to drain off easily. Lay a drain hose if required. In cold regions, installation of a drain hose is not advisable as it could freeze.
- ▶ Place the outdoor unit on a stable base.

**3.3 Unit installation**

**NOTICE**

**Incorrect assembly can cause material damage.**

If the unit is assembled incorrectly, it may fall off the wall.

- ▶ Only install the unit on a solid flat wall. The wall must be capable of supporting the weight of the unit.
- ▶ Only use screws and wall plugs that are suitable for the wall type and weight of the unit.

**3.3.1 Installing the indoor unit**

- ▶ Open the box at the top and lift the indoor unit out and up (→ Fig. 6).
- ▶ Place the indoor unit with the moulded parts of the packaging face down (→ Fig. 7).
- ▶ Undo screw and remove the mounting plate on the rear of the indoor unit.
- ▶ Determine the installation location, taking the minimum clearances into consideration (→ Fig. 2).
- ▶ Attach the mounting plate centrally with a screw and wall plug to the wall and level out (→ Fig. 8).
- ▶ Fasten the mounting plate with a further four screws and wall plugs so that the the mounting plate lies flat on the wall.
- ▶ Drill wall outlet for the piping (wall outlet should be behind the indoor unit as a recommendation → Fig. 9).
- ▶ Change the position of the condensate pipe if necessary (→ Fig. 10).



The pipe fittings on the indoor unit are generally located behind the indoor unit. We recommend extending the pipes before mounting the indoor unit.

- ▶ Establish pipe connections as described in Chapter 3.4.1.
- ▶ Bend the piping in the required direction if necessary, and knock out an opening on the side of the indoor unit (→ Fig. 12).
- ▶ Route the piping through the wall and attach the indoor unit to the mounting plate (→ Fig. 13).
- ▶ Fold up the top cover and remove one of the two filter elements (→ Fig. 14).

- ▶ Insert the filter which is included in the scope of delivery into the filter element, and mount the filter element again.

If it is necessary to take the indoor unit off the mounting plate:

- ▶ Pull the underside of the casing down in the area of the two recesses and pull the indoor unit forwards (→ Fig. 15).

**3.3.2 Installing the outdoor unit**

- ▶ Place the box so it is facing upwards.
- ▶ Cut and remove the packing straps.
- ▶ Pull the box up and off and remove the packaging.
- ▶ Prepare and mount a floor or wall mounting bracket, depending on the type of installation.
- ▶ Mount or hang the outdoor unit using the anti-vibration coupling for the feet which is supplied with the unit or is provided on site.
- ▶ When installing on the floor or wall mounting bracket, attach the supplied drainage elbow and gasket (→ Fig. 16).
- ▶ Remove the cover for the pipe connections (→ Fig. 17).
- ▶ Establish pipe connections as described in Chapter 3.4.1.
- ▶ Mount the cover for the pipe connections again.

**3.4 Pipework connection**

**3.4.1 Connecting refrigerant pipes to the indoor and outdoor unit**



**CAUTION**

**Discharge of refrigerant due to leaky connections**

Refrigerant may be discharged if pipe connections are incorrectly installed.

- ▶ When reusing flared joints, always fabricate the flared part again.



Copper pipes are available in metric and imperial sizes, the flare nut thread is however the same. The flared fittings on the indoor and outdoor unit are intended for imperial sizes.

- ▶ When using metric copper pipes, replace the flare nuts with nuts of a suitable diameter (→ Table 7).
- ▶ Determine pipe diameter and length (→ Page 4).
- ▶ Cut the pipe to length using a pipe cutter (→ Fig. 11).
- ▶ Deburr the inside of the pipe at both ends and tap to remove swarf.
- ▶ Insert the nut onto the pipe.
- ▶ Widen the pipe using a flaring tool to the size indicated in the table 7. It must be possible to slide the nut up to the edge but not beyond it.
- ▶ Connect the pipe and tighten the screw fitting to the torque specified in the table 7.
- ▶ Repeat the above steps for the second pipe.

**NOTICE**

**Reduced efficiency due to heat transfer between refrigerant pipes**

- ▶ Thermally insulate the refrigerant pipes separately.
- ▶ Fit the insulation on the pipes and secure.

External diameter of pipe Ø [mm]	Tightening torque [Nm]	Flared opening diameter (A) [mm]	Flared pipe end	Pre-assembled flare nut thread
6.35 (1/4")	18-20	8.4-8.7		3/8"
9.53 (3/8")	32-39	13.2-13.5		3/8"
12.7 (1/2")	49-59	16.2-16.5		5/8"
15.9 (5/8")	57-71	19.2-19.7		3/4"

Table 7 Key data of pipe connections

### 3.4.2 Connecting condensate pipe to the indoor unit

The condensation catch pan of the indoor unit has two connections. A condensate hose and bung are mounted on these connections at the factory and can be replaced (→ Fig. 10).

- ▶ Only route the condensate hose with a slope.

### 3.4.3 Checking tightness and filling the system

#### Checking tightness

Observe the national and local regulations when carrying out the tightness test.

- ▶ Remove the caps on the three valves (→ Fig. 18, [1], [2] and [3]).
- ▶ Connect the Schrader opener [6] and pressure gauge [4] to the Schrader valve [1].
- ▶ Screw in the Schrader opener and open the Schrader valve [1].
- ▶ Leave valves [2] and [3] closed and fill the system with nitrogen until the pressure is 10 % above the maximum operating pressure (→ page 10).
- ▶ Check whether the pressure is still the same after 10 minutes.
- ▶ Discharge the nitrogen until the maximum operating pressure is reached.
- ▶ Check whether the pressure is still the same after at least 1 hour.
- ▶ Discharge nitrogen.

#### Filling the system

##### NOTICE

#### Malfunction due to incorrect refrigerant

The outdoor unit is filled with refrigerant R32 at the factory.

- ▶ If refrigerant needs to be topped up, only use the same refrigerant. Do not mix refrigerant types.
- 
- ▶ Evacuate and dry system with a vacuum pump (→ Fig. 18, [5]) until the pressure is roughly –1 bar (or approx. 500 microns).
  - ▶ Open the valve at the top [3] (liquid side).
  - ▶ Use a pressure gauge [4] to check whether the flow is unobstructed.
  - ▶ Open valve at bottom [2] (gas side).  
The refrigerant is distributed round the system.
  - ▶ Afterwards, check the pressure ratios.
  - ▶ Unscrew the Schrader opener [6] and close the Schrader valve [1].
  - ▶ Remove the vacuum pump, pressure gauge and Schrader opener.
  - ▶ Reattach the valve caps.
  - ▶ Reattach the cover for pipe connections to the outdoor unit.

## 3.5 Electrical connection

### 3.5.1 General notes



#### WARNING

#### Risk to life from electric shock!

Touching live electrical parts can cause an electric shock.


- ▶ Before working on electrical parts, disconnect all phases of the power supply (fuse/circuit breaker) and lock the isolator switch to prevent unintentional reconnection.
- 
- ▶ Work on the electrical system must only be carried out by a qualified electrician.
  - ▶ Observe safety measures according to national and international regulations.
  - ▶ If there is a safety issue with the power supply or if there is a short circuit during installation, inform the customer in written form and do not install the unit until the issue is resolved.
  - ▶ All electrical connections must be made in accordance with the electrical connection diagram.

- ▶ Only strip cable insulation with the correct tools.
- ▶ Do not connect any additional loads to the mains power supply of the unit.
- ▶ Do not mix up live and neutral wires. This can lead to malfunctions.
- ▶ If the mains power supply is fixed, install an overvoltage protector and isolator which is designed for 1.5 times the maximum power consumption of the unit.

### 3.5.2 Connecting the indoor unit

The indoor unit is connected to the outdoor unit using a 4-core communication cable of the type H07RN-F. The conductor cross-section of the communication cable should be at least 1.5 mm<sup>2</sup>. A power cable is already included.

To connect the communication cable:

- ▶ Fold up the top cover (→ Fig. 19).
- ▶ Undo screw and remove cover of the interface panel.
- ▶ Remove screw and cover [1] of the terminal (→ Fig. 20).
- ▶ Knock out an opening for the cable feed [3] on the rear of the indoor unit and feed the cable through.
- ▶ Secure communication cable to the strain relief [2] and connect to the terminals 1(L), 2(N), S and .
- ▶ Note assignment of wires to the terminals.
- ▶ Connect the power cable to the mains via a mains fuse (→ Tab. 8).
- ▶ Reattach the covers.
- ▶ Route the cable to the outdoor unit.

Indoor unit	Mains fuse protection	Conductor cross-section	
		Power cable	Communication cable
CLL5000 W 22 E	13 A	≥ 1.5 mm <sup>2</sup>	≥ 1.5 mm <sup>2</sup>
CLL5000 W 28 E	13 A	≥ 1.5 mm <sup>2</sup>	≥ 1.5 mm <sup>2</sup>
CLL5000 W 34 E	13 A	≥ 1.5 mm <sup>2</sup>	≥ 1.5 mm <sup>2</sup>

Table 8


### 3.5.3 Connecting the outdoor unit

The communication cable from the indoor unit is connected to the outdoor unit (4-core).

##### NOTICE

#### Material damage due to incorrectly connected outdoor unit

Voltage is supplied to the outdoor unit via the indoor unit.

- ▶ Only connect the outdoor unit to the indoor unit.
- 
- ▶ Undo the screw and remove the cover of the electrical connection (→ Fig. 21).
  - ▶ Secure the communication cable to the strain relief and connect to the terminals 1(L), 2(N), S and  (assignment of wires to terminals same as indoor unit) (→ Fig. 22).
  - ▶ Reattach cover.

## 4 Commissioning

### 4.1 Commissioning checklist

1	Outdoor unit and indoor unit are correctly installed.	
2	Pipes are correctly <ul style="list-style-type: none"> <li>• connected,</li> <li>• thermally insulated,</li> <li>• and checked for tightness.</li> </ul>	
3	Condensate pipes are functioning correctly and have been tested.	
4	Electrical connection has been correctly established. <ul style="list-style-type: none"> <li>• Power supply is in the normal range</li> <li>• Protective conductor is properly attached</li> <li>• Connection cable is securely attached to the terminal strip</li> </ul>	
5	All covers are fitted and secured.	
6	The horizontal louver of the indoor unit is fitted correctly and the actuator is engaged.	

Table 9

### 4.2 Functional test

The system can be tested once the installation including tightness test has been carried out and the electrical connection has been established:

- ▶ Connect the power supply.
- ▶ Switch on indoor unit with the remote control.
- ▶ Press the **Mode** key to set the cooling mode (❄).
- ▶ Press arrow key (▼) until the lowest temperature is set.
- ▶ Test cooling mode for 5 minutes.
- ▶ Press the **Mode** key to set the heating mode (☀).
- ▶ Press arrow key (▲) until the highest temperature is set.
- ▶ Test heating mode for 5 minutes.
- ▶ Ensure freedom of movement of horizontal louver.



If the room temperature is less than 17 °C, the cooling mode must be switched on manually. This manual operation is only envisaged for testing and emergency situations.

- ▶ Otherwise, always use the remote control.

To switch on the cooling mode manually:

- ▶ Switch off the indoor unit.
- ▶ Press the key for the manual cooling mode twice with a thin object (→ Fig. 23).
- ▶ Press the **Mode** key on the remote control to exit cooling mode when it has been set manually.



In a system with multi-split air conditioner, manual operation is not possible.

### 4.3 Handover to the user

- ▶ When the system has been set up, hand over the installation manual to the customer.
- ▶ Explain to the customer how to use the system, referring to the operation manual.
- ▶ Advise the customer to carefully read the operation manual.

## 5 Troubleshooting

### 5.1 Faults with indication



#### WARNING

#### Risk to life from electric shock!

Touching live electrical parts can cause an electric shock.

- ▶ Before working on electrical parts, disconnect all phases of the power supply (fuse/circuit breaker) and lock the isolator switch to prevent unintentional reconnection.

If a fault occurs during operation, a fault code appears in the display (e.g. EH 02).

If a fault is present for more than 10 minutes:

- ▶ Briefly interrupt the power supply and switch the indoor unit back on.

If a fault persists:

- ▶ Call customer service and provide the fault code and details of the appliance.

Fault code	Possible Cause
EC 07	Fan speed of outdoor unit outside the normal range
EC 51	Faulty parameter in the EEPROM of the outdoor unit
EC 52	Temperature sensor error at T3 (condenser coil)
EC 53	Temperature sensor error at T4 (outside temperature)
EC 54	Temperature sensor error at TP (compressor discharge pipe)
EC 56	Temperature sensor error at T2B (outlet of evaporator coil; freely adjustable indoor units)
EH 0A	Faulty parameter in the EEPROM of the indoor unit
EH 00	
EH 0b	Communication error between main PCB of indoor unit and display
EH 02	Fault when detecting the zero-crossing signal
EH 03	Fan speed of indoor unit outside the normal range
EH 60	Temperature sensor error at T1 (room temperature)
EH 61	Temperature sensor error at T2 (centre of evaporator coil)
EL 0C	Insufficient or escaping refrigerant or temperature sensor error at T2
EL 01 <sup>1)</sup>	Communication error between indoor and outdoor unit
PC 00	Fault at IPM module or IGBT overcurrent protection
PC 01	Over- or undervoltage protection
PC 02	Temperature protection at compressor or overheating protection at IPM module or pressure relief device
PC 03	Low pressure protection
PC 04	Inverter compressor module error
PC 08	Protection against current overload
PC 40	Communication fault between main PCB of outdoor unit and main PCB of compressor drive
--	Conflicting operating mode of indoor units; operating mode of indoor units and outdoor unit must correspond.

1) Leak detection not active if in a system with multi-split air conditioner.

Table 10

### 5.2 Faults without indication

Error	Possible Cause	Remedy
The output of the indoor unit is too low.	Heat exchanger of outdoor or indoor unit soiled.	▶ Clean heat exchanger of outdoor or indoor unit.
	Lack of refrigerant	▶ Check tightness of pipes, reseal if required. ▶ Refill refrigerant.
Outdoor unit or indoor unit is not working.	No power	▶ Check power connection. ▶ Power on the indoor unit.
	RCD or fuse Fuse has tripped.	▶ Check power connection. ▶ Check RCD or fuse.
Outdoor unit or indoor unit starts and stops continuously.	Insufficient refrigerant in the system.	▶ Check tightness of pipes, reseal if required. ▶ Refill refrigerant.
	Too much refrigerant in the system.	▶ Remove refrigerant with refrigerant recovery unit.
	Moisture or impurities in the refrigerant circuit.	▶ Evacuate refrigerant circuit. ▶ Fill with new refrigerant.
	Voltage fluctuations too high.	▶ Install voltage regulator.
	Defective compressor.	▶ Replace compressor.

Table 11

## 6 Environmental protection and disposal

Environmental protection is a fundamental corporate strategy of the Bosch Group.

The quality of our products, their economy and environmental safety are all of equal importance to us and all environmental protection legislation and regulations are strictly observed.

We use the best possible technology and materials for protecting the environment taking account of economic considerations.

### Packaging

Where packaging is concerned, we participate in country-specific recycling processes that ensure optimum recycling.

All of our packaging materials are environmentally compatible and can be recycled.

### Used appliances

Used appliances contain valuable materials that can be recycled.

The various assemblies can be easily dismantled. Synthetic materials are marked accordingly. Assemblies can therefore be sorted by composition and passed on for recycling or disposal.

### Old electrical and electronic appliances



This symbol means that the product must not be disposed of with other waste, and instead must be taken to the waste collection points for treatment, collection, recycling and disposal.



The symbol is valid in countries where waste electrical and electronic equipment regulations apply, e.g. "European Directive 2012/19/EC on old electronic and electrical appliances". These regulations define the framework for the return and recycling of old electronic appliances that apply in each country.

As electronic devices may contain hazardous substances, it needs to be recycled responsibly in order to minimize any potential harm to the environment and human health. Furthermore, recycling of electronic scrap helps preserve natural resources.

For additional information on the environmentally compatible disposal of old electrical and electronic appliances, please contact the relevant local authorities, your household waste disposal service or the retailer where you purchased the product.

### Batteries

Batteries must not be disposed together with your household waste.

Used batteries must be disposed of in local collection systems.

### Refrigerant R32



The appliance contains fluorinated gas R32 (global warming potential 675<sup>1)</sup>) mild combustibility and low toxicity (A2L or A2).

Contained quantity is indicated on the equipment outdoor unit name label.

Refrigerant is hazardous to the environment and must be collected and disposed of separately.

1) Based on ANNEX I of REGULATION (EU) No 517/2014 of the European Parliament and of the Council of 16 April 2014.

## 7 Technical Data

Set		CLL5000-Set 22 WE	CLL5000-Set 28 WE	CLL5000-Set 34 WE
Indoor unit		CLL5000 W 22 E	CLL5000 W 28 E	CLL5000 W 34 E
Outdoor unit		CLL5000 22 E	CLL5000 28 E	CLL5000 34 E
<b>Cooling</b>				
Rated output	kW	2.2	2.8	3.4
	kBTU/h	7	9	12
Power input at rated output	W	685	867	1049
Output (min. - max.)	KW	1.0-2.5	1.2-3.2	1.3-3.8
Power input (min. - max.)	W	80-1000	100-1250	280-1393
Energy efficiency (EER)	-	3.21	3.21	3.21
<b>Heating</b>				
Rated output	kW	2.3	3.2	3.5
	kBTU/h	8	11	12
Power input at rated output	W	650	893	974
Output (min. - max.)	KW	0.7-2.9	0.9-3.8	1.0-4.0
Power input (min. - max.)	W	110-1240	140-1340	300-1442
Energy efficiency (COP)	-	3.61	3.61	3.61
<b>General</b>				
Power supply	V / Hz	220-230 / 50	220-230 / 50	220-230 / 50
Max. power consumption	W	2300	2300	2300
Max. current consumption	A	10.5	10.5	10.5
Refrigerant	-	R32	R32	R32
Refrigerant charge	g	580	580	540
Design pressure (liquid side/gas side)	MPa	4.3/1.7	4.3/1.7	4.3/1.7
<b>Indoor unit</b>				
Air flow rate (high/medium/low)	m <sup>3</sup> /h	500/360/300	500/360/300	506/375/310
Sound pressure level (high/medium/low/noise reduction)	dB(A)	39/33/24/23	39/33/24/23	39/31/24/23
Permissible ambient temperature (cooling/heating)	°C	16...32/0...30	16...32/0...30	16...32/0...30
Net weight/gross weight	kg	8.2/10.4	8.2/10.4	8.1/10.4
<b>Outdoor unit</b>				
Air flow rate	m <sup>3</sup> /h	1800	1800	1800
Sound pressure level	dB(A)	56	56	56
Permissible ambient temperature (cooling/heating)	°C	0...50/-15...24	0...50/-15...24	0...50/-15...24
Net weight/gross weight	kg	22.8/24.7	22.8/24.7	23.7/25.5

Table 12

**Содержание**

**1 Пояснения условных обозначений и указания по безопасности .....11**

1.1 Пояснения условных обозначений ..... 11

1.2 Общие указания по технике безопасности ..... 12

1.3 Указания к данной инструкции ..... 13

---

**2 Информация об изделии .....13**

2.1 Декларация о соответствии ..... 13

2.2 Объем поставки ..... 13

2.3 Размеры и минимальные расстояния ..... 13

2.3.1 Внутренний блок и наружный блок ..... 13

2.3.2 Трубы хладагента ..... 13

---

**3 Монтаж .....14**

3.1 Перед монтажом ..... 14

3.2 Требования к месту установки оборудования . . . . 14

3.3 Монтаж прибора ..... 14

3.3.1 Монтаж внутреннего блока ..... 14

3.3.2 Монтаж наружного блока. . . . . 14

3.4 Подключение трубопроводов ..... 15

3.4.1 Подключение трубопроводов хладагента к внутреннему и наружному блоку ..... 15

3.4.2 Подключение к конденсатоотводу на внутреннем блоке. . . . . 15

3.4.3 Проверка герметичности и заполнение отопительной системы ..... 15

3.5 Электрическое подключение ..... 16

3.5.1 Общие указания ..... 16

3.5.2 Подключение внутреннего блока ..... 16

3.5.3 Подключение наружного блока ..... 16

---

**4 Пуск котла .....17**

4.1 Контрольный список для пуска в эксплуатацию . . . 17

4.2 Функциональный тест ..... 17

4.3 Передача потребителю ..... 17

---

**5 Устранение неисправностей .....17**

5.1 Неисправности с индикацией ..... 17

5.2 Неисправности без индикации ..... 18

---

**6 Охрана окружающей среды и утилизация ..... 19**

---

**7 Технические характеристики .....20**


**1 Пояснения условных обозначений и указания по безопасности**


**1.1 Пояснения условных обозначений**


**Предупреждения**

Выделенные слова в начале предупреждения обозначают вид и степень тяжести последствий, наступающих в случае непринятия мер безопасности.

Следующие слова определены и могут применяться в этом документе:


 **ОПАСНО**  
**ОПАСНОСТЬ** означает получение тяжёлых, вплоть до опасных для жизни травм.


 **ОСТОРОЖНО**  
**ОСТОРОЖНО** означает возможность получения тяжёлых, вплоть до опасных для жизни травм.

 **ВНИМАНИЕ**  
**ВНИМАНИЕ** означает, что возможны травмы лёгкой и средней тяжести.




**УВЕДОМЛЕНИЕ**  
**УВЕДОМЛЕНИЕ** означает, что возможно повреждение оборудования.

**Важная информация**

 Важная информация без каких-либо опасностей для человека и оборудования обозначается приведённым здесь знаком информации.

Символ	Пояснение
	Предупреждение о воспламеняющихся материалах: используемый в данном изделии хладагент R32 представляет собой газ с низким уровнем горючести и ядовитости (A2L или A2).
	Дополнительную информацию см. в технической документации.
	Техобслуживание должно выполняться квалифицированным специалистом с соблюдением инструкций в руководстве по техническому обслуживанию.
	Во время эксплуатации выполняйте требования инструкции по эксплуатации.
	Знак номинальной теплопроизводительности
	Знак номинальной холодопроизводительности
	Знак контура охлаждения со стороны высокого давления (вверху) и стороны низкого давления (внизу)



Символ	Пояснение
Inverter	Инверторная система кондиционирования воздуха
	Обозначение соответствия требованиям ЕАС для товаров на рынке государств-членов Евразийского экономического союза
	Обозначение соответствия требованиям СЕ для товаров на рынке государств-членов Европейского Союза.
	Этот знак указывает на отдельный сбор электрического и электронного оборудования.

Таб. 1

## 1.2 Общие указания по технике безопасности

### **⚠ Уведомления для целевой группы**

Настоящая инструкция по монтажу предназначена для квалифицированных специалистов, обладающих соответствующими навыками работы с холодильными системами, системами вентиляции, отопления и кондиционирования (HVAC) и электрическими системами. Все указания, связанные с системой, должны быть соблюдены. Несоблюдение инструкций может привести к материальному ущербу и к угрозе здоровью, включая угрозу для жизни.

- ▶ Перед выполнением монтажа прочтите инструкции по монтажу всех элементов системы.
- ▶ Следуйте предупреждениям и указаниям по безопасности.
- ▶ Следуйте национальным и региональным нормам, техническим регламентам и руководствам.
- ▶ Ведите учет проведенных работ.

### **⚠ Применение по назначению**

Внутренний блок предназначен для монтажа внутри здания с подключением к наружному блоку с использованием дополнительных системных компонентов, например систем управления.

Наружный блок предназначен для монтажа за пределами здания с подключением к одному или нескольким внутренним блокам с использованием дополнительных системных компонентов, например систем управления.

Любое другое использование считается применением не по назначению. Исключается любая ответственность за применение не по назначению и за повреждения, возникшие в результате подобного применения.

Монтаж в нестандартных местах (подземный гараж, технические помещения, балконы или любые другие полуоткрытые территории):

- ▶ Прежде всего необходимо соблюдать требования к месту установки, приведенные в технической документации.

### **⚠ Общие опасности, связанные с хладагентом**

- ▶ Данное оборудование наполнено хладагентом R32. Хладагент при контакте с огнем может образовывать ядовитые газы.
- ▶ Если во время монтажа произошла утечка хладагента, то сразу же тщательно проветрите помещение.
- ▶ После монтажа проверьте герметичность установки.
- ▶ Не допускайте попадания в контур хладагента никаких других веществ, кроме указанного хладагента (R32).

### **⚠ Безопасность электрических приборов, используемых в быту и в других подобных целях**

Для предотвращения опасностей, исходящих от электрических приборов, в соответствии с EN 60335-1 действуют следующие положения:

«Этим оборудованием могут пользоваться дети старше 8 лет, а также лица со сниженными физическими, сенсорными или психическими способностями или имеющие недостаточно опыта и знаний, если они действуют под надзором или прошли обучение относительно безопасного применения оборудования и понимают исходящие от него опасности. Не разрешайте детям играть с оборудованием.»

«Если повреждён сетевой провод, то его должен заменить изготовитель, его сервисная служба или квалифицированный специалист, чтобы провод не представлял опасности.»

### **⚠ Передача пользователю**

При передаче системы кондиционирования воздуха обучите конечного потребителя правилам эксплуатации системы и сообщите ему условия ее эксплуатации.

- ▶ Объясните процесс эксплуатации — с особым выделением всех действий, связанных с безопасностью.
- ▶ В частности, выделите следующие моменты:
  - Подчеркните, что модификации или ремонт разрешается выполнять только сертифицированным специализированным предприятиям.
  - Для обеспечения безопасной эксплуатации с соблюдением правил охраны окружающей среды необходимо не реже одного раза в год проверять состояние оборудования, производить его очистку и при необходимости техническое обслуживание.

- ▶ Укажите на возможные последствия (опасность возникновения несчастных случаев, в т. ч. со смертельным исходом, и риск повреждения оборудования), которые могут возникать при невыполнении или ненадлежащем выполнении осмотров, работ по чистке и техобслуживанию оборудования, или пренебрежении всем вышеперечисленным.
- ▶ Передайте пользователю инструкции по монтажу и эксплуатации и укажите на необходимость в обеспечении сохранности этих инструкций.

### 1.3 Указания к данной инструкции

Все изображения собраны в конце данной инструкции. В тексте имеются ссылки на изображения.

Некоторые модели изделия могут отличаться от иллюстраций в данной инструкции.

## 2 Информация об изделии

### 2.1 Декларация о соответствии

**EAC** Это оборудование по своей конструкции и рабочим характеристикам соответствует Евразийского таможенного союза.

Маркировка EAC подтверждает соответствие изделия всем обязательным к применению правовым нормам, которые предусматривают нанесение этой маркировки.

Полный текст Декларации соответствия приведён на сайте: <https://bosch-ru.boschtt-documents.com/index/td>.

### 2.2 Объем поставки

Пояснения к рис. 1:

- [1] Наружный блок (заполнен хладагентом)
- [2] Внутренний блок (наполнен азотом)
- [3] Фильтр катализатора и биофильтр
- [4] Отводная угловая муфта с уплотнением (для наружного блока с вертикальным или стеновым кронштейном)
- [5] Пульт дистанционного управления с элементами питания
- [6] Крепежный материал (5 винтов и 5 дюбелей)
- [7] Комплект документации
- [8] 4-жильный коммуникационный кабель (опциональное дополнительное оборудование)
- [9] 4 гасителя колебаний для наружного блока

### 2.3 Размеры и минимальные расстояния

#### 2.3.1 Внутренний блок и наружный блок

Рис. 2–3.

#### 2.3.2 Трубы хладагента

Пояснения к рис. 5:

- [1] Труба со стороны газа
- [2] Труба со стороны жидкости
- [3] Колено в форме сифона в качестве маслоотделителя



Если наружный блок размещается выше внутреннего блока, со стороны газа как минимум каждые 6 метров должно быть колено в форме сифона, через следующие 6 метров — еще одно колено в форме сифона (→ рис. 5, [1]).

- ▶ Соблюдайте максимальную длину труб и максимальную разность высот между внутренним и наружным блоками.

	Максимальная длина труб <sup>1)</sup> [м]	Максимальная разность высот <sup>2)</sup> [м]
CLL5000 22 E	≤ 25	≤ 10
CLL5000 28 E	≤ 25	≤ 10
CLL5000 34 E	≤ 25	≤ 10

1) Сторона газа или сторона жидкости

2) Измерено от нижней кромки к нижней кромке.

Таб. 2 Длина труб и разность высот

Тип котла	Диаметр трубы	
	Сторона жидкости [мм]	Сторона газа [мм]
CLL5000 22 E	6,35 (1/4")	9,53 (3/8")
CLL5000 28 E	6,35 (1/4")	9,53 (3/8")
CLL5000 34 E	6,35 (1/4")	9,53 (3/8")

Таб. 3 Диаметр трубы в зависимости от типа устройства

Диаметр трубы [мм]	Альтернативный диаметр трубы [мм]
6,35 (1/4")	6
9,53 (3/8")	10

Таб. 4 Альтернативный диаметр трубы

Спецификация труб	
Мин. длина трубопровода	3 м
Дополнительный хладагент при длине трубопровода больше 5 м (сторона жидкости)	12 г/м
Толщина трубы при диаметре трубы 6,35–12,7 мм	≥ 0,8 мм
Толщина трубы при диаметре трубы 15,9 мм	≥ 1,0 мм
Толщина теплоизоляции	≥ 6 мм
Материал теплоизоляции	Вспененный полиэтилен

Таб. 5

## 3 Монтаж

### 3.1 Перед монтажом



#### ВНИМАНИЕ

#### Опасность травмирования острыми кромками!

- ▶ При монтаже носите защитные перчатки.



#### ВНИМАНИЕ

#### Опасность ожога!

Во время эксплуатации трубопроводы очень сильно нагреваются.

- ▶ Прежде чем касаться трубопроводов, убедитесь в том, что они остыли.
- ▶ Проверьте комплект поставки на наличие повреждений.
- ▶ Проверьте, слышно ли при открывании труб внутреннего блока шипение из-за разрежения.

### 3.2 Требования к месту установки оборудования

- ▶ Соблюдайте минимальные расстояния (→ рис. 2–4).

#### Внутренний блок

- ▶ Не устанавливайте внутренние блоки в помещениях с открытыми источниками воспламенения (например, открытое пламя, эксплуатирующееся газовое оборудование или эксплуатирующееся электрическое отопление).
- ▶ Место установки должно располагаться на высоте не более 2000 м над уровнем моря.
- ▶ Чтобы воздух мог свободно циркулировать, в месте входа и выхода воздуха не должно быть никаких препятствий. В противном случае может возникнуть потеря мощности или повышенный уровень шума.
- ▶ Телевизоры, радиоприемники и аналогичное оборудование должны находиться на расстоянии не менее 1 метра от оборудования и пульта дистанционного управления.
- ▶ Для монтажа внутреннего блока выбирайте такую стену, которая будет гасить вибрации.
- ▶ Учитывайте минимальную площадь помещения.

Тип котла	Высота монтажа [м]	Минимальная площадь помещения [м <sup>2</sup> ]
CLL5000 W 22 E	≥ 1,8	≥ 4
CLL5000 W 28 E		
CLL5000 W 34 E		

Таб. 6 Минимальная площадь помещения

Если высота монтажа меньше, площадь пола должна быть соответственно больше.

#### Наружный блок

- ▶ Наружный блок запрещается подвергать воздействию паров машинного масла, горячих паров, сернистого газа и пр.
- ▶ Не устанавливайте наружный блок непосредственно в воде и не подвергайте его воздействию морского ветра.
- ▶ Обязательно держите наружный блок чистым от снега.
- ▶ Отработанный воздух или рабочие шумы не должны мешать окружающим.
- ▶ Воздух должен нормально циркулировать вокруг наружного блока, однако оборудование не должно подвергаться воздействию сильного ветра.
- ▶ Образующийся во время эксплуатации конденсат должен беспрепятственно стекать. При необходимости проложите сливной шланг. Сливной шланг не рекомендуется использовать в холодных регионах, так как возможно обледенение
- ▶ Устанавливайте наружный блок на устойчивое основание.

### 3.3 Монтаж прибора

#### УВЕДОМЛЕНИЕ

#### Возможно повреждение оборудования из-за неквалифицированного монтажа!

Неквалифицированный монтаж может привести к падению котла со стены.

- ▶ Монтируйте оборудование только на прочную и ровную стену. Стена должна выдерживать вес оборудования.
- ▶ Применяйте подходящие для стены винты и дюбели, выдерживающие вес котла.

#### 3.3.1 Монтаж внутреннего блока

- ▶ Откройте картонную коробку сверху и извлеките внутренний блок (→ рис. 6).
- ▶ Положите внутренний блок с боковыми элементами упаковки лицевой стороной вниз (→ рис. 7).
- ▶ Выкрутите винт и снимите монтажную планку с обратной стороны внутреннего блока.
- ▶ Выберите место установки с учетом минимально необходимого расстояния (→ рис. 2).
- ▶ При помощи винта и дюбеля закрепите монтажную планку вверху посередине и выровняйте по горизонтали (→ рис. 8).
- ▶ Закрепите монтажную планку при помощи остальных четырех винтов и дюбелей так, чтобы она ровно прилегала к стене.
- ▶ Просверлите проход через стену для системы трубопроводов (рекомендуемое положение прохода через стену находится за внутренним блоком → рис. 9).
- ▶ При необходимости измените положение конденсатоотвода (→ рис. 10).



Резьбовые трубные соединения на внутреннем блоке чаще всего находятся за внутренним блоком. Мы рекомендуем удлинить трубы еще до навешивания внутреннего блока.

- ▶ Выполните трубные соединения согласно описанию в главе 3.4.1.
  - ▶ При необходимости подогните систему трубопроводов в нужном направлении и пробейте отверстие на стороне внутреннего блока (→ рис. 12).
  - ▶ Проведите систему трубопроводов через стену и навесьте внутренний блок на монтажную планку (→ рис. 13).
  - ▶ Поднимите верхнюю пластиковую крышку и снимите один из двух патронов фильтра (→ рис. 14).
  - ▶ Вставьте фильтр из комплекта поставки в патрон фильтра и установите патрон фильтра обратно.
- Если внутренний блок необходимо снять с монтажной планки:
- ▶ Потяните нижнюю часть облицовки в области двух выемок вниз и вперед, а потом снимите внутренний блок вверх (→ рис. 15).

#### 3.3.2 Монтаж наружного блока

- ▶ Поставьте коробку так, чтобы верхняя часть была сверху.
- ▶ Разрежьте и снимите крепежные ленты.
- ▶ Потяните коробку вверх и снимите упаковку.
- ▶ В зависимости от места монтажа подготовьте и смонтируйте вертикальный или стеновой кронштейн.
- ▶ Установите или навесьте наружный блок, используя для этого комплектные или собственные гасители колебаний для оснований.
- ▶ При монтаже с использованием вертикального или стенового кронштейна установите комплектную отводную угловую муфту с уплотнением (→ рис. 16).
- ▶ Снимите пластиковую крышку для соединительных труб (→ рис. 17).
- ▶ Выполните трубные соединения согласно описанию в главе 3.4.1.
- ▶ Установите на место пластиковую крышку для соединительных труб.

### 3.4 Подключение трубопроводов

#### 3.4.1 Подключение трубопроводов хладагента к внутреннему и наружному блоку



#### ВНИМАНИЕ

##### Выход хладагента через негерметичные соединения

Из выполненных ненадлежащим образом соединений трубопровода может вытекать хладагент.

- ▶ При повторном использовании соединений отбортовкой обязательно изготавливайте новую отбортованную часть.



Медные трубы доступны с метрическими и дюймовыми размерами, резьба конусных гаек будет соответствующего размера. Резьбовые соединения отбортовкой на внутреннем и наружном блоке предназначены для размеров в дюймах.

- ▶ При использовании метрических медных труб замените конусные гайки на гайки подходящего диаметра (→ таблица 7).

- ▶ Определите диаметр и длину трубы (→ стр. 13).
- ▶ Отрежьте трубу при помощи трубореза (→ рис. 11).
- ▶ Снимите заусенцы на внутренних концах трубы и выберите стружку.
- ▶ Установите гайку на трубу.
- ▶ При помощи развальцовочного конуса развальцуйте трубу до размера из таблицы 7.  
Гайка должна немного двигаться к краю, но не должна выходить за него.
- ▶ Подключите трубу и затяните резьбовое соединение моментом затяжки из таблицы 7.
- ▶ Повторите описанные выше пункты для второй трубы.

#### УВЕДОМЛЕНИЕ

##### Снижение КПД вследствие теплопередачи между трубами контура охлаждения

- ▶ Выполняйте теплоизоляцию труб контура охлаждения по отдельности.
- ▶ Установите и зафиксируйте теплоизоляцию труб.

Внешний диаметр трубы Ø [мм]	Момент затяжки [Нм]	Диаметр отбортованного отверстия (A) [мм]	Отбортованный конец трубы	Предварительно выполненная резьба конусной гайки
6,35 (1/4")	18-20	8,4-8,7		3/8"
9,53 (3/8")	32-39	13,2-13,5		3/8"
12,7 (1/2")	49-59	16,2-16,5		5/8"
15,9 (5/8")	57-71	19,2-19,7		3/4"

Таб. 7 Характеристики трубных соединений

#### 3.4.2 Подключение к конденсатоотводу на внутреннем блоке

Конденсатная ванна внутреннего блока имеет два подключения. В состоянии поставки к ним подключен конденсатный шланг и заглушка, их можно поменять (→ рис. 10).

- ▶ Проложите конденсатный шланг с уклоном.

#### 3.4.3 Проверка герметичности и заполнение отопительной системы

##### Проверка герметичности

Во время контроля герметичности соблюдайте национальные и местные предписания.

- ▶ Снимите заглушки с трех клапанов (→ рис. 18, [1], [2] и [3]).
- ▶ Подключите устройство открывания [6] и манометр [4] к клапану Шредера [1].
- ▶ Вверните устройство открывания и откройте клапан Шредера [1].
- ▶ Оставьте клапаны [2] и [3] закрытыми и заполняйте установку азотом до тех пор, пока давление 10 % не превысит максимальное рабочее давление (→ стр. 20).
- ▶ Через 10 минут проверьте, не изменилось ли давление.
- ▶ Спускайте азот до тех пор, пока не будет достигнуто максимальное рабочее давление.
- ▶ Как минимум через 1 час проверьте, не изменилось ли давление.
- ▶ Спустите азот.

#### Заполнение системы

#### УВЕДОМЛЕНИЕ

##### Нарушение работы из-за неподходящего хладагента

Наружный блок заполняется на заводе-изготовителе хладагентом R32.

- ▶ Если необходимо добавить хладагент, добавляйте только аналогичный хладагент. Не смешивайте разные типы хладагента.
- ▶ Опорожните установку при помощи вакуумного насоса (→ рис. 18, [5]) и просушите, чтобы получить около -1 бар (или около 500 микрон).
- ▶ Откройте верхний клапан [3] (сторона жидкости).
- ▶ При помощи манометра [4] проверьте наличие свободного потока.
- ▶ Откройте нижний клапан [2] (сторона газа). Хладагент распределится по установке.
- ▶ В заключение проверьте показатели давления.
- ▶ Выкрутите устройство открывания [6] и закройте клапан Шредера [1].
- ▶ Снимите вакуумный насос, манометр и устройство открывания клапана Шредера.
- ▶ Установите на место заглушки клапанов.
- ▶ Установите на место пластиковую крышку для соединительных труб на наружном блоке.

### 3.5 Электрическое подключение

#### 3.5.1 Общие указания



#### ОСТОРОЖНО


##### Угроза для жизни от удара электрическим током!

При касании деталей, находящихся под напряжением, возможен удар электрическим током.

- ▶ Перед работой с электрооборудованием: отключите электропитание на всех фазах (выньте предохранитель или выключите защитный автомат) и обеспечьте защиту от случайного включения.
- ▶ Работы с электрическим оборудованием разрешается выполнять только электрикам с соответствующим разрешением.
- ▶ Выполняйте защитные мероприятия в соответствии с национальными и международными предписаниями.
- ▶ При наличии угрозы для безопасности в сетевом напряжении или при коротком замыкании во время монтажа проинформируйте конечного потребителя в письменном виде и не устанавливайте оборудование до тех пор, пока не будет устранена проблема.
- ▶ Выполните все электрические подключения согласно электрической схеме соединений.
- ▶ Изоляцию кабеля снимайте только при помощи специального инструмента.
- ▶ Не подключайте никаких других потребителей к сетевому подключению блока.
- ▶ Не перепутайте фазу и ноль. Это может привести к неисправностям.
- ▶ При фиксированном подключении к электросети установите защиту от перегрузки по напряжению и разъединитель, рассчитанный на 1,5-кратное значение максимальной потребляемой мощности оборудования.

#### 3.5.2 Подключение внутреннего блока

К внутреннему блоку подключается 4-жильный коммуникационный кабель типа HO7RN-F. Сечение проводника коммуникационного кабеля должно составлять не менее 1,5 мм<sup>2</sup>. Электрический провод уже смонтирован.

- ▶ Поднимите верхнюю пластиковую крышку (→ рис. 19).
- ▶ Выкрутите винт и снимите пластиковую крышку с коммутационной панели.
- ▶ Выкрутите винт и снимите пластиковую крышку [1] с клеммы (→ рис. 20).
- ▶ Пробеите кабельный проход [3] на обратной стороне внутреннего блока и проведите кабель.
- ▶ Зафиксируйте коммуникационный кабель фиксатором провода [2] и подключите к клеммам 1(L), 2(N), S и .
- ▶ Запишите назначение жил клеммам.
- ▶ Подключите электрический провод через сетевой предохранитель к электрической сети (→ таблица 8).
- ▶ Снова закрепите пластиковые крышки.
- ▶ Проведите кабель к наружному блоку.

Внутренний блок	Защитный предохранитель	Поперечное сечение провода	
		Электрический провод	Коммуникационный кабель
CLL5000 W 22 E	13 A	≥ 1,5 мм <sup>2</sup>	≥ 1,5 мм <sup>2</sup>
CLL5000 W 28 E	13 A	≥ 1,5 мм <sup>2</sup>	≥ 1,5 мм <sup>2</sup>
CLL5000 W 34 E	13 A	≥ 1,5 мм <sup>2</sup>	≥ 1,5 мм <sup>2</sup>

Таб. 8


#### 3.5.3 Подключение наружного блока

К наружному блоку подключается коммуникационный кабель для внутреннего блока (4-жильный).

#### УВЕДОМЛЕНИЕ

##### Материальный ущерб из-за неправильно подключенного наружного блока

Напряжение на наружный блок подается от внутреннего блока.

- ▶ Подключайте наружный блок только к внутреннему блоку.
- ▶ Выкрутите винт и снимите пластиковую крышку электрического подключения (→ рис. 21).
- ▶ Зафиксируйте коммуникационные кабели фиксатором провода и подключите к клеммам 1(L), 2(N), S и  (назначение жил и клемм как для внутреннего блока) (→ рис. 22).
- ▶ Закрепите пластиковую крышку.



## 4 Пуск котла

### 4.1 Контрольный список для пуска в эксплуатацию

1	Наружный и внутренний блоки смонтированы надлежащим образом.	
2	Трубы: <ul style="list-style-type: none"> <li>• подключены надлежащим образом,</li> <li>• выполнена теплоизоляция,</li> <li>• проверена герметичность.</li> </ul>	
3	Нормальная работа конденсатоотвода обеспечена и проверена.	
4	Электрическое подключение выполнено надлежащим образом. <ul style="list-style-type: none"> <li>• Электроснабжение работает в обычном диапазоне</li> <li>• Провод заземления установлен надлежащим образом</li> <li>• Сетевой кабель установлен и зафиксирован на клеммной колодке</li> </ul>	
5	Все пластиковые крышки установлены и закреплены.	
6	Воздушный дефлектор внутреннего блока установлен правильно, сервопривод зафиксирован.	

Таб. 9

### 4.2 Функциональный тест

После окончания монтажа с контролем герметичности и электрического подключения можно переходить к тестированию системы:

- ▶ Обеспечьте электропитание.
- ▶ Включите внутренний блок при помощи пульта дистанционного управления.
- ▶ Нажмите кнопку **Mode** для настройки режима охлаждения (❄).
- ▶ Для выбора самой низкой температуры нажимайте кнопку со стрелкой (∨).
- ▶ Протестируйте режим охлаждения в течение 5 минут.
- ▶ Нажмите кнопку **Mode** для настройки режима нагрева (☀).
- ▶ Для выбора самой высокой температуры нажимайте кнопку со стрелкой (∧).
- ▶ Тестируйте режим нагрева в течение 5 минут.
- ▶ Обеспечьте свободу движения воздушного дефлектора.



При температуре помещения ниже 17 °C режим охлаждения должен включаться вручную. Данный ручной режим предназначен только для проверок и аварийных ситуаций.

- ▶ В обычных ситуациях используйте пульт дистанционного управления.

Включение режима охлаждения вручную:

- ▶ Выключите внутренний блок.
- ▶ Тонким предметом два раза нажмите кнопку ручного режима охлаждения (→ рис. 23).
- ▶ Для завершения выбранного вручную режима охлаждения нажмите кнопку **Mode** на пульте дистанционного управления.



В системе с мультисплит-кондиционером ручной режим недоступен.

### 4.3 Передача потребителю

- ▶ После наладки системы передайте заказчику инструкцию по монтажу.
- ▶ По инструкции по эксплуатации объясните заказчику принцип управления системой.
- ▶ Посоветуйте заказчику внимательно и полностью прочитать инструкцию по эксплуатации.

## 5 Устранение неисправностей

### 5.1 Неисправности с индикацией



#### ОСТОРОЖНО

#### Угроза для жизни от удара электрическим током!

При касании деталей, находящихся под напряжением, возможен удар электрическим током.

- ▶ Перед работой с электрооборудованием: отключите электропитание на всех фазах (выньте предохранитель или выключите защитный автомат) и обеспечьте защиту от случайного включения.

Если во время эксплуатации возникает неисправность, на дисплее появляется код неисправности (например, E1 02).

Если неисправность активна более 10 минут:

- ▶ Отключите электропитание на небольшое время и снова включите внутренний блок.

Если неисправность не устраняется, выполните следующие действия:

- ▶ Свяжитесь с сервисной службой и сообщите код неисправности и характеристики оборудования.

Код неисправности	Возможная причина
EC 07	Частота вращения вентилятора наружного блока вне штатного диапазона
EC 51	Сбой параметров в ЭСППЗУ наружного блока
EC 52	Неисправность датчика температуры в Т3 (змеевик конденсатора)
EC 53	Неисправность датчика температуры в Т4 (температура наружного воздуха)
EC 54	Неисправность датчика температуры в ТР (продувочный трубопровод компрессора)
EC 56	Неисправность датчика температуры в Т2В (выпуск змеевика испарителя; внутренние блоки со свободной адаптацией)
EH 0A	Сбой параметров в ЭСППЗУ внутреннего блока
EH 00	
EH 0b	Нарушение обмена данными между главной платой внутреннего блока и дисплеем
EH 02	Неисправность при распознавании сигнала прохождения через нуль
EH 03	Частота вращения вентилятора внутреннего блока вне штатного диапазона
EH 60	Неисправность датчика температуры в Т1 (температура помещения)
EH 61	Неисправность датчика температуры в Т2 (середина змеевика испарителя)
EL 0C <sup>1)</sup>	Недостаточно хладагента, вытекающий хладагент или неисправность датчика температуры в Т2
EL 01	Нарушение обмена данными между внутренним и наружным блоками
PC 00	Неисправность в модуле IPM или неисправность защиты от перегрузки по току IGBT
PC 01	Защита от повышенного или пониженного напряжения
PC 02	Защита по температуре на компрессоре, защита от перегрева в модуле IPM или защита от повышенного давления
PC 03	Защита от пониженного давления
PC 04	Неисправность в компрессорном модуле инвертора
PC 08	Защита от перегрузки по току
PC 40	Нарушение обмена данными между главной платой наружного блока и главной платой привода компрессора
--	Конфликт режимов работы внутренних блоков; режимы работы внутренних блоков и наружного блока должны совпадать.

1) В системе с мультисплит-кондиционером распознавание утечек неактивно.

Таб. 10

## 5.2 Неисправности без индикации

Неисправность	Возможная причина	Рекомендации
Слишком низкая мощность внутреннего блока.	Загрязнен теплообменник наружного или внутреннего блока.	▶ Очистите теплообменник наружного или внутреннего блока.
	Слишком мало хладагента	▶ Проверьте герметичность труб, при необходимости герметизируйте заново. ▶ Долейте хладагент.
Не работает наружный или внутренний блок.	Отсутствует электрическое напряжение	▶ Проверьте подключение к источнику тока. ▶ Включите внутренний блок.
	Сработало устройство защитного отключения, или сработал предохранитель.	▶ Проверьте подключение к источнику тока. ▶ Проверьте устройство защитного отключения или предохранитель.
Наружный или внутренний блок постоянно запускается и останавливается.	Слишком мало хладагента в системе.	▶ Проверьте герметичность труб, при необходимости герметизируйте заново. ▶ Долейте хладагент.
	Слишком много хладагента в системе.	Откачайте хладагент при помощи прибора для рекуперации хладагента.
	Влага или загрязнения в холодильном контуре.	▶ Опорожните холодильный контур. ▶ Залейте новый хладагент.
	Слишком сильные колебания напряжения.	▶ Установите стабилизатор напряжения.
	Неисправен компрессор.	▶ Замените компрессор.

Таб. 11



## 6 Охрана окружающей среды и утилизация

Защита окружающей среды — это основной принцип деятельности предприятий группы Bosch.

Качество продукции, экономичность и охрана окружающей среды — равнозначные для нас цели. Мы строго соблюдаем законы и правила охраны окружающей среды.

Для защиты окружающей среды мы применяем наилучшую технику и материалы (с учетом экономических аспектов).

### Упаковка

При изготовлении упаковки мы учитываем национальные правила утилизации упаковочных материалов, которые гарантируют оптимальные возможности для их переработки.

Все используемые упаковочные материалы являются экологичными и подлежат вторичной переработке.

### Оборудование, отслужившее свой срок

Приборы, отслужившие свой срок, содержат материалы, которые можно отправлять на переработку.

Компоненты системы легко разделяются. Пластмасса имеет маркировку. Поэтому различные конструктивные узлы можно сортировать и отправлять на переработку или утилизировать.

### Отслужившее свой срок электрическое и электронное оборудование



Этот знак означает, что продукт не должен утилизироваться вместе с другими отходами, а должен быть доставлен в пункты сбора отходов для обработки, сбора, переработки и утилизации.

Этот знак распространяется на страны, в которых действуют правила в отношении электронного лома, например, "Европейская директива 2012/19/EG об отходах электрического и электронного оборудования". Эти правила устанавливают рамочные условия, применимые к возврату и утилизации отработанного электронного оборудования в каждой стране.

Поскольку электронные устройства могут содержать опасные вещества, они требуют ответственной утилизации, чтобы минимизировать потенциальный ущерб окружающей среде и опасность для здоровья человека. Кроме того, утилизация электронного лома помогает сберечь природные ресурсы.

За более подробной информацией об экологически безопасной утилизации отработанного электрического и электронного оборудования обращайтесь в местные органы власти, в компанию по утилизации отходов или к продавцу, у которого вы приобрели изделие.

### Батарейки

Батарейки нельзя выбрасывать с бытовым мусором.

Использованные батарейки должны утилизироваться через местные пункты сбора.

### Хладагент R32



В оборудовании содержится фторированный парниковый газ R32 (парниковый потенциал 675<sup>1)</sup> с низким уровнем горючести и ядовитости (A2L или A2).

Заправленный объем указан на заводской табличке наружного блока.

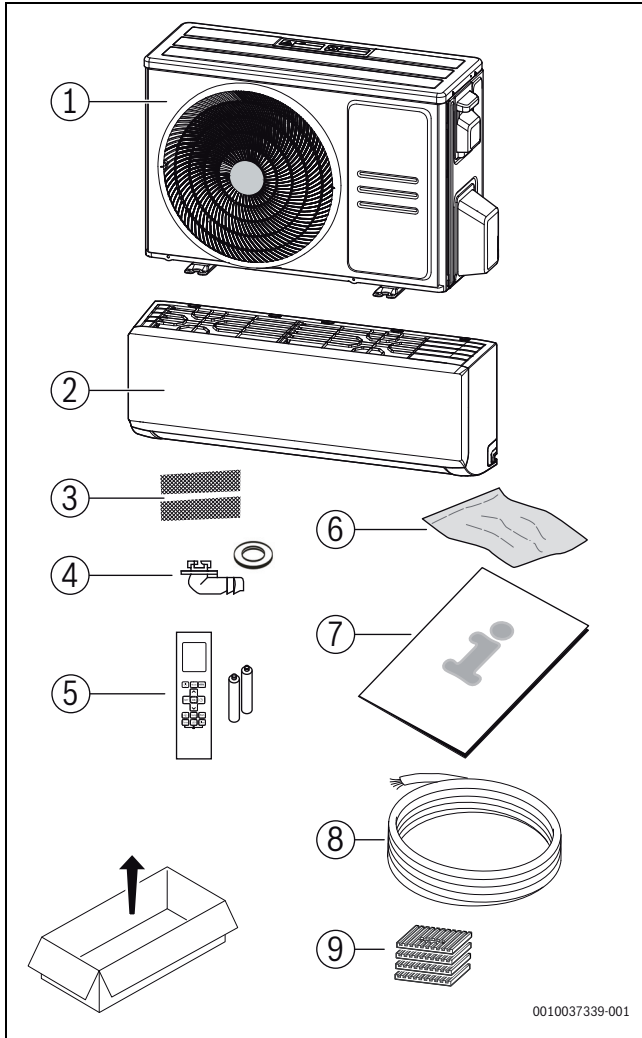
Хладагент представляет опасность для окружающей среды; поэтому он должен собираться и утилизироваться отдельно.

1) на основании приложения I Регламента (ЕС) № 517/2014 Европейского парламента и Совета от 16 апреля 2014 г.

## 7 Технические характеристики

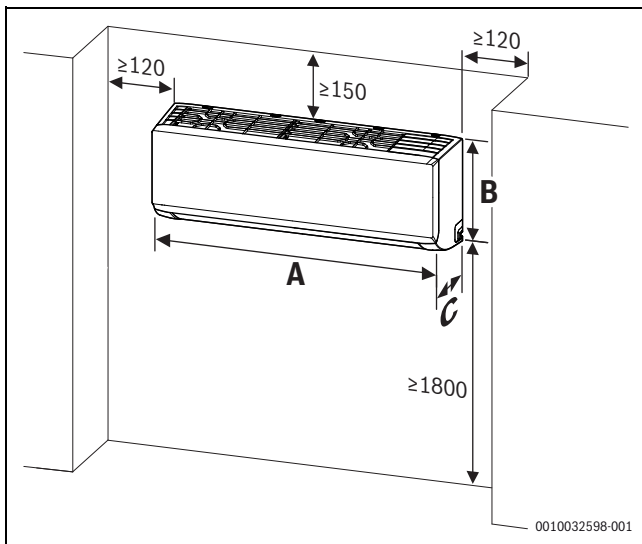
Set комплект		CLL5000-Set 22 WE	CLL5000-Set 28 WE	CLL5000-Set 34 WE
Внутренний блок		CLL5000 W 22 E	CLL5000 W 28 E	CLL5000 W 34 E
Наружный блок		CLL5000 22 E	CLL5000 28 E	CLL5000 34 E
<b>Охлаждение</b>				
Номинальная мощность	кВт	2,2	2,8	3,4
	кБТЕ/ч	7	9	12
Потребляемая мощность при номинальной мощности	Вт	685	867	1049
Мощность (мин. — макс.)	кВт	1,0-2,5	1,2-3,2	1,3-3,8
Потребляемая мощность (мин. — макс.)	Вт	80-1000	100-1250	280-1393
Энергоэффективность (EER)	–	3,21	3,21	3,21
<b>Отопление</b>				
Номинальная мощность	кВт	2,3	3,2	3,5
	кБТЕ/ч	8	11	12
Потребляемая мощность при номинальной мощности	Вт	650	893	974
Мощность (мин. — макс.)	кВт	0,7-2,9	0,9-3,8	1,0-4,0
Потребляемая мощность (мин. — макс.)	Вт	110-1240	140-1340	300-1442
Энергоэффективность (COP)	–	3,61	3,61	3,61
<b>Общие положения</b>				
Напряжение электропитания	В/Гц	220-230 / 50	220-230 / 50	220-230 / 50
Максимальная потребляемая мощность	Вт	2300	2300	2300
Максимальный потребляемый ток	А	10,5	10,5	10,5
Хладагент	–	R32	R32	R32
Количество хладагента	г	580	580	540
Номинальное давление (со стороны жидкости/газа)	МПа	4,3/1,7	4,3/1,7	4,3/1,7
<b>Внутренний блок</b>				
Объемный расход (высокий/средний/низкий)	м <sup>3</sup> /ч	500/360/300	500/360/300	506/375/310
Уровень шума (высокий/средний/низкий/бесшумный)	дБ(А)	39/33/24/23	39/33/24/23	39/31/24/23
Допустимая температура окружающей среды (охлаждение/нагрев)	°С	16...32/0...30	16...32/0...30	16...32/0...30
Вес нетто/вес брутто	кг	8,2/10,4	8,2/10,4	8,1/10,4
<b>Наружный блок</b>				
Расход, л/ч	м <sup>3</sup> /ч	1800	1800	1800
Уровень шума	дБ(А)	56	56	56
Допустимая температура окружающей среды (охлаждение/нагрев)	°С	0...50/-15...24	0...50/-15...24	0...50/-15...24
Вес нетто/вес брутто	кг	22,8/24,7	22,8/24,7	23,7/25,5

Таб. 12



1

0010037339-001

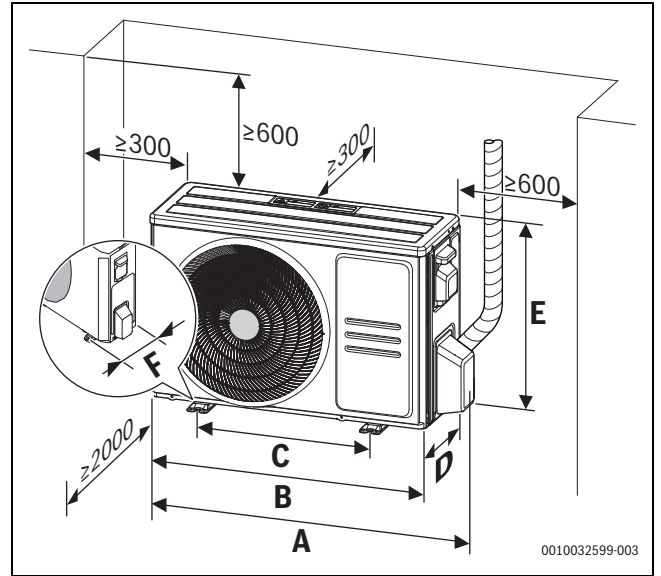


2

0010032598-001

	A [mm]	B [mm]	C [mm]
CLL5000 W 22 E	729	292	200
CLL5000 W 28 E	729	292	200
CLL5000 W 34 E	729	292	200

13

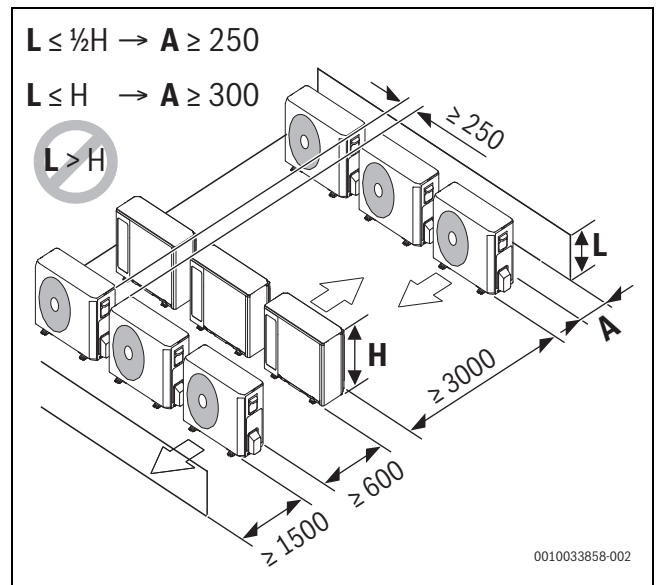


3

0010032599-003

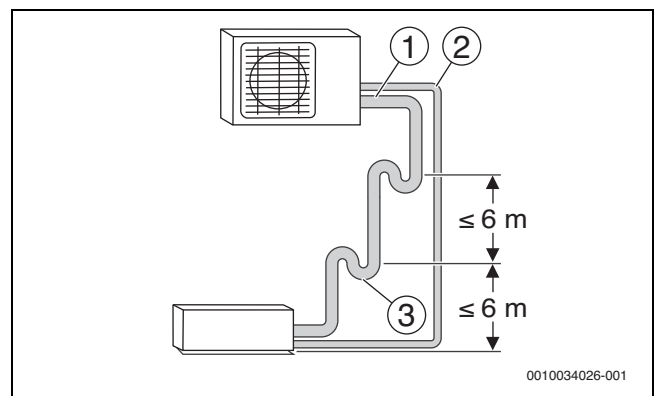
	A [mm]	B [mm]	C [mm]	D [mm]	E [mm]	F [mm]
CLL5000 22 E	790	720	452	270	495	255
CLL5000 28 E	790	720	452	270	495	255
CLL5000 34 E	790	720	452	270	495	255

14



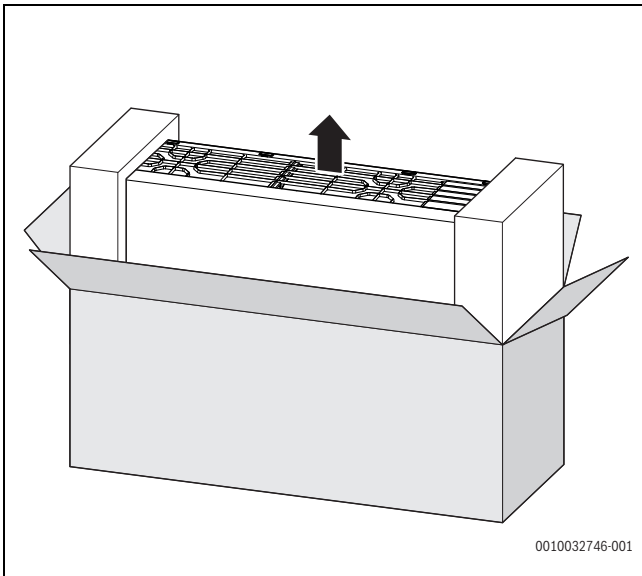
4

0010033858-002

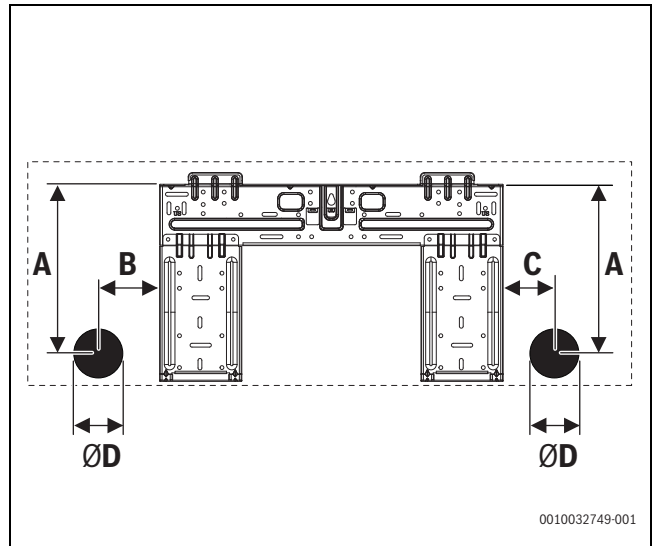


5

0010034026-001



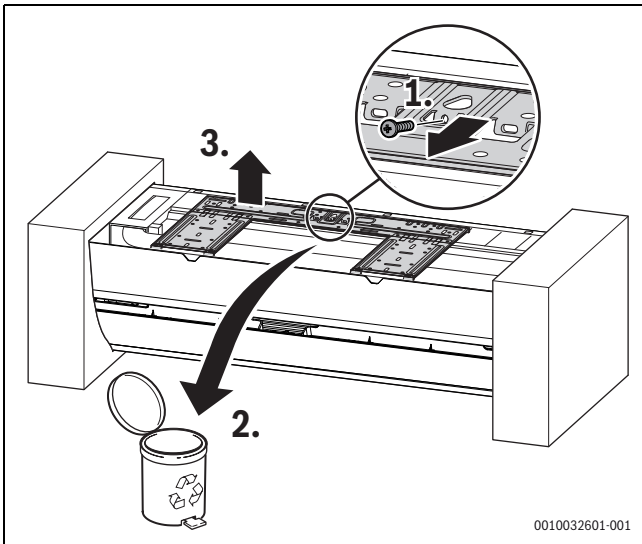
6



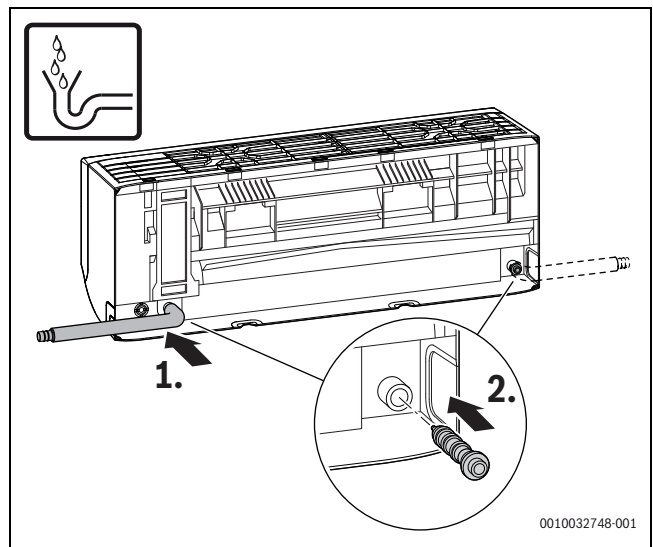
9

	A [mm]	B[mm]	C[mm]	D[mm]
CLL5000 W 22 E	240	45	80	65
CLL5000 W 28 E	240	45	80	65
CLL5000 W 34 E	240	45	80	65

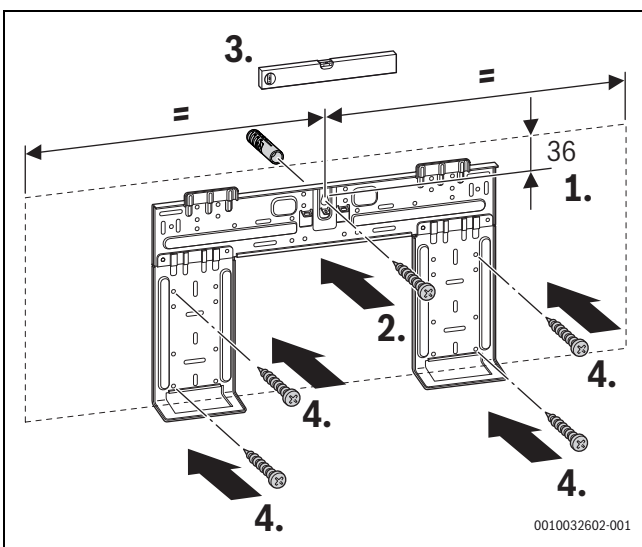
15



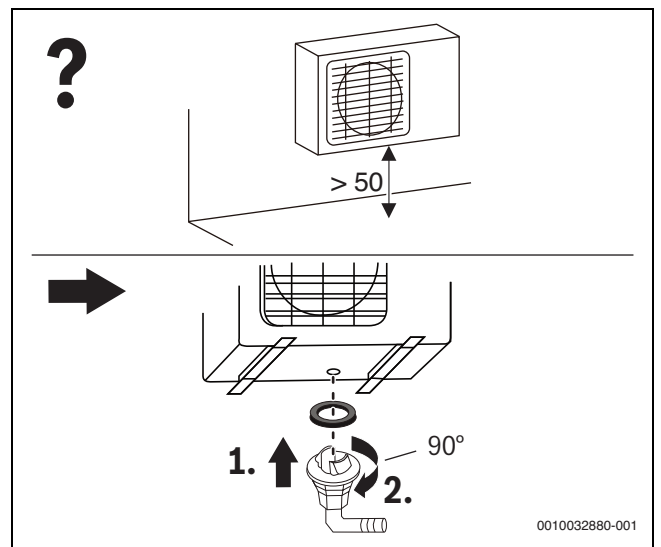
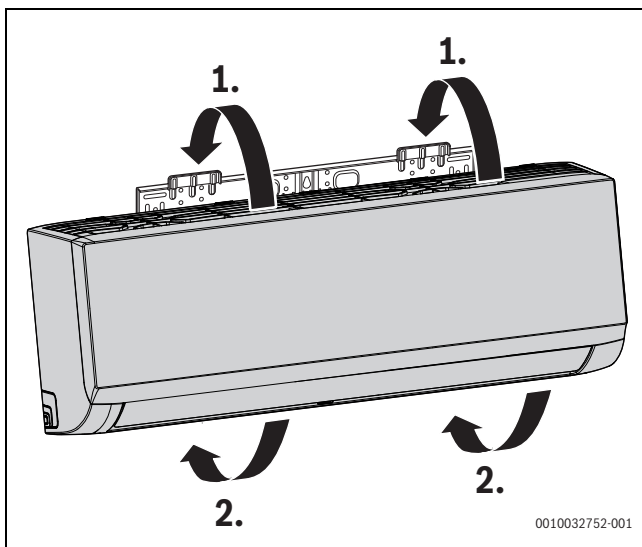
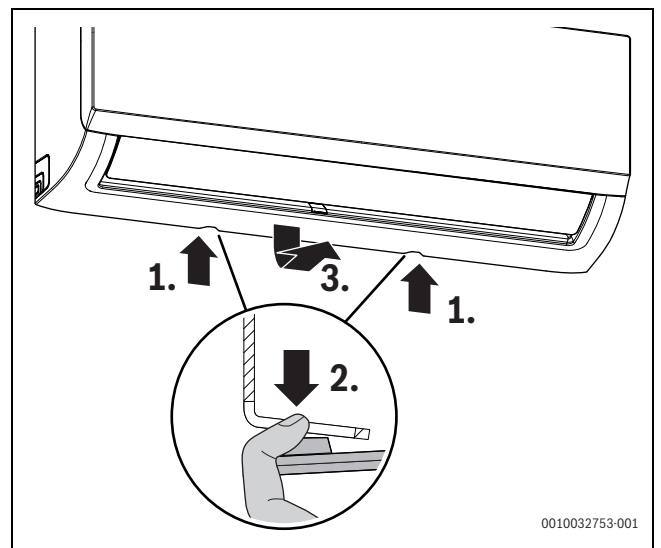
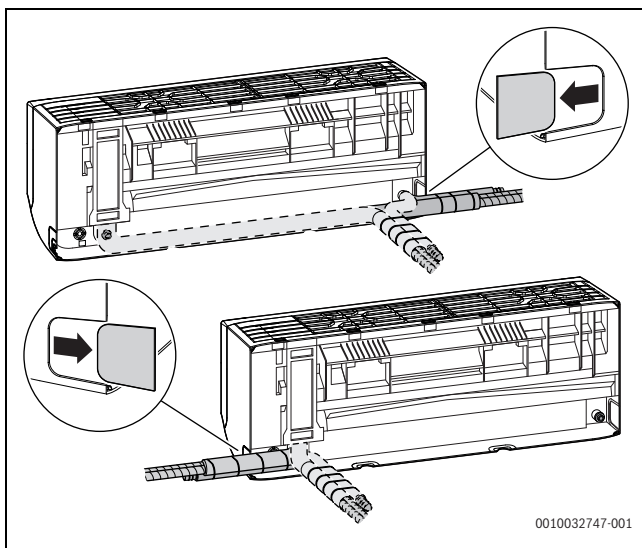
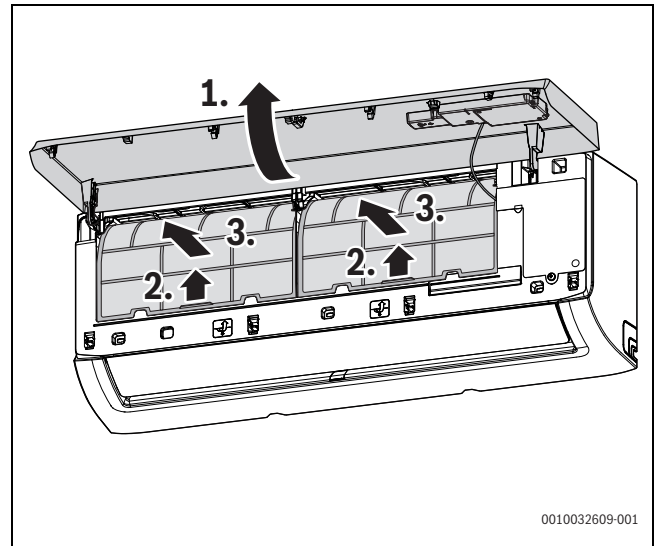
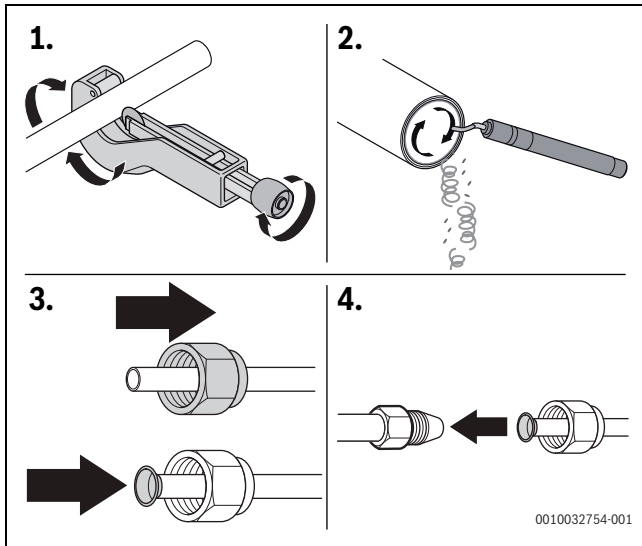
7

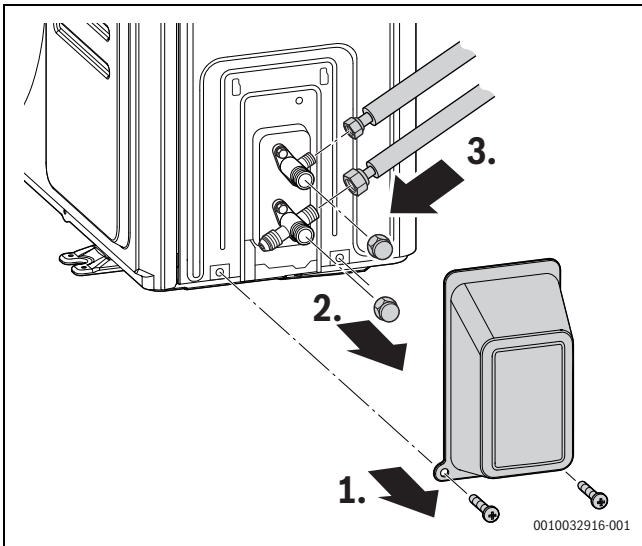


10

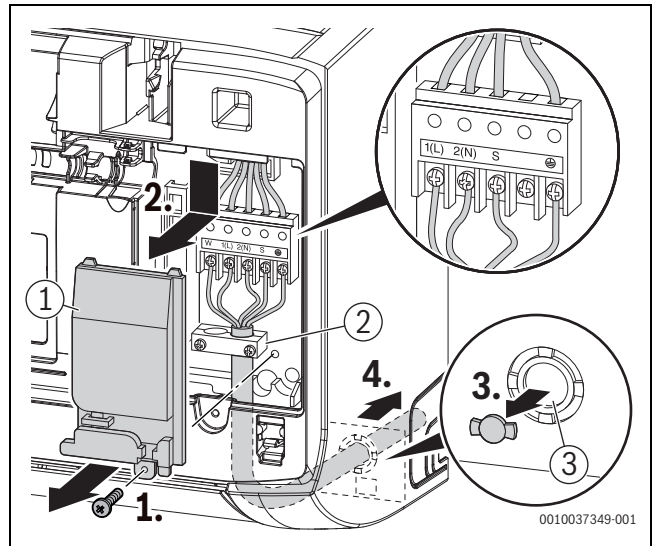


8

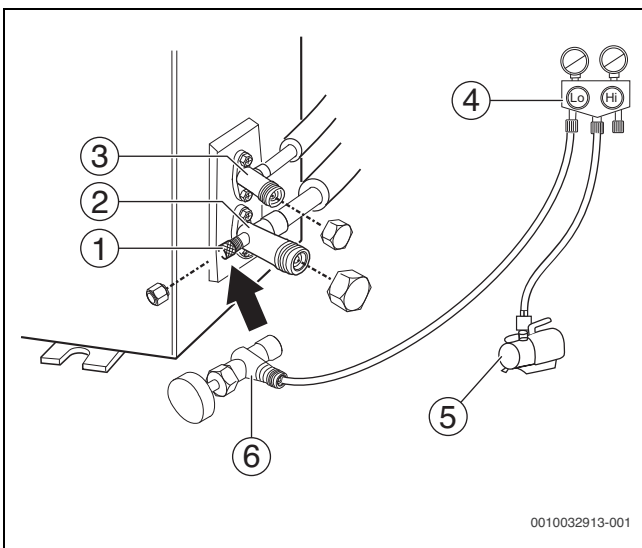




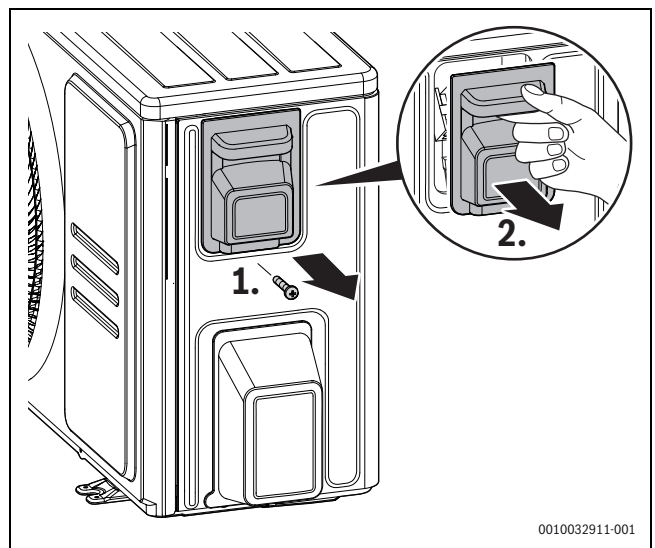
17



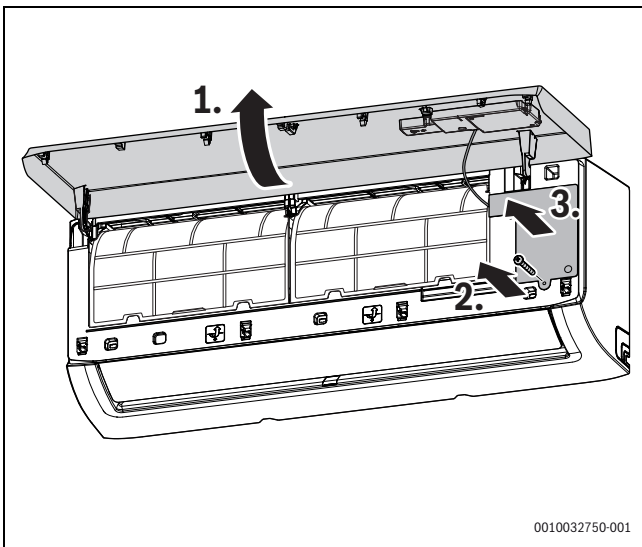
20



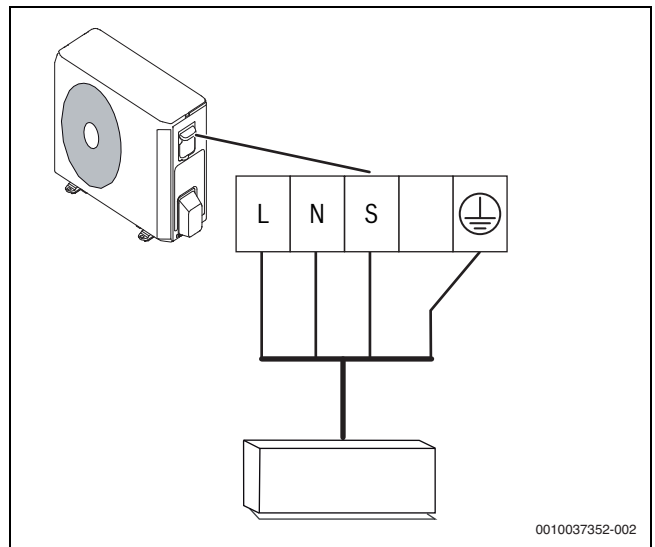
18



21



19



22

